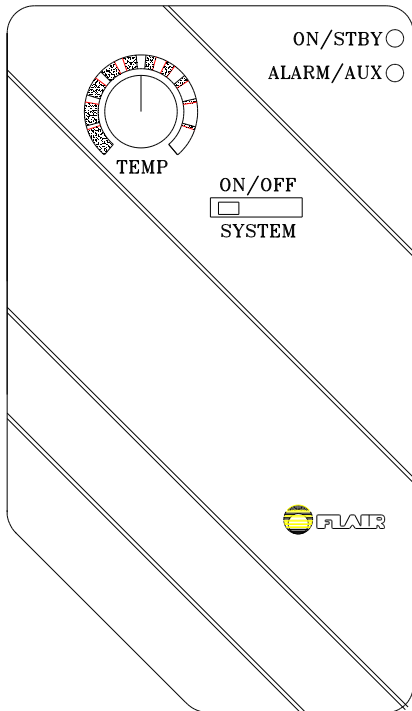


ELECTRONIC

## THERMOSTAT series TE20

For economical central (main) or zoned control of heating and cooling systems. Available in single- and multi-stage versions with automatic changeover.



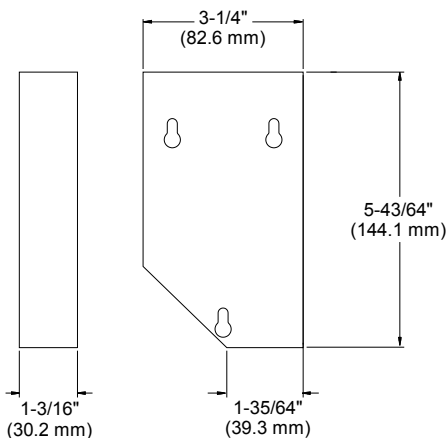
### BENEFITS & SPECIAL FEATURES

- No batteries required.
- Remote temperature sensor (optional).
- Return air temperature sensor (optional).
- Automatic heating/cooling changeover.
- Manual on/off override.
- Electronic temperature limiting and locking.
- System status indicators.
- Warmer/cooler scale (standard).
- Fahrenheit and Celsius scales included.
- Available in up to 3 stages of heating and 2 stages of cooling control.
- Continuous or intermittent fan.

### APPLICATIONS

- Central (main) heating or cooling.
- Zone heating or cooling.
- Residential (Single or multi-family, Apartments, Condominiums, Co-ops).
- Commercial (Stores, Restaurants, Offices).
- Industrial.
- Institutional (Hospitals, Hotels, Motels).

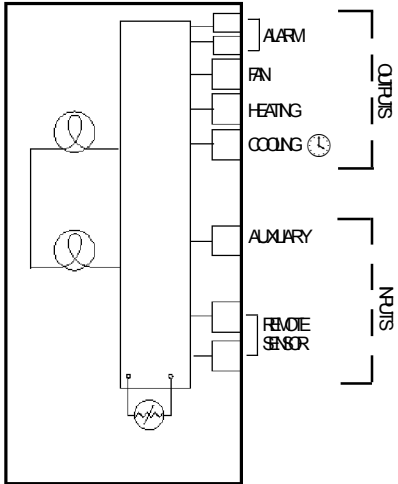
### DIMENSIONS



### SPECIFICATIONS

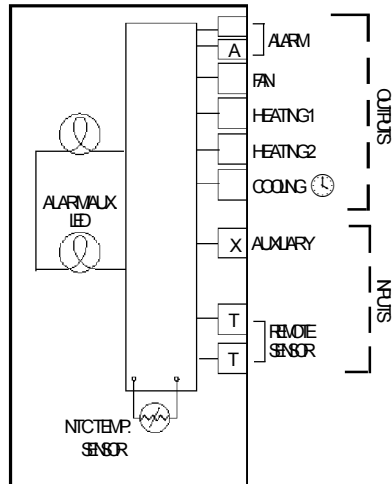
Operating Voltage:	24/120/208/230/277vac0 (-15%, +10%, 50-60 Hz)
Temperature Range:	50°F - 90°F (10°C - 32°C)
Temperature Differential:	
Heating:	approximately ±0.8°F (.4°C)
Cooling:	approximately ±0.8°F (.4°C)
Between stages:	2° F (1.1° C)
Dead Band:	4°F (2.2° C)
Sensor System:	Negative Temperature Coefficient (NTC)
Standard:	internal
Optional:	remote temperature
Optional:	return air temperature
Compressor Protection:	switched 4 minute time delay
Switches:	
Slide:	SYSTEM: ON/OFF
Rotating:	Set: TEMPERATURE
Indicator LED's:	ON (Steady Green) / STBY (Flashing Green)
	ALARM (Flashing Red) / AUX (Steady Red)
Staging (orange):	Stage One (Off); Stage Two (On); Stage Three (Flashing)
Security:	Electronic temperature limiting and locking
Dimensions:	5 <sup>43</sup> / <sub>64</sub> x 3 <sup>1</sup> / <sub>4</sub> x 1 <sup>3</sup> / <sub>16</sub> Inches (144.1 x 82.6 x 30.2 mm)

# MODEL NUMBERS AND DESCRIPTIONS FOR VARIOUS APPLICATIONS



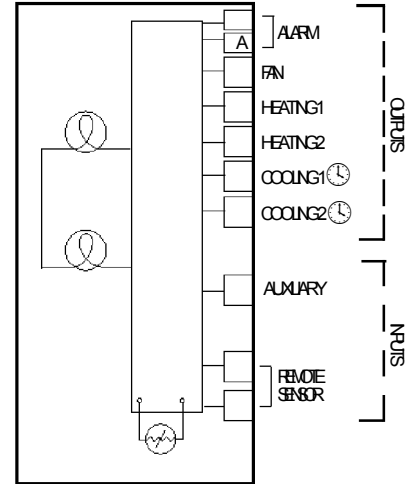
Model Number: TE211120  
Description: 1 stage heat, 1 stage cool

Switching Current at 24 VAC:  
Cooling: 1 Amp  
Heating: 1 Amp  
Fan: 1 Amp  
Alarm: 1 Amp  
Auxiliary: 1 Amp  
Weight: 4 lbs. (880 g)



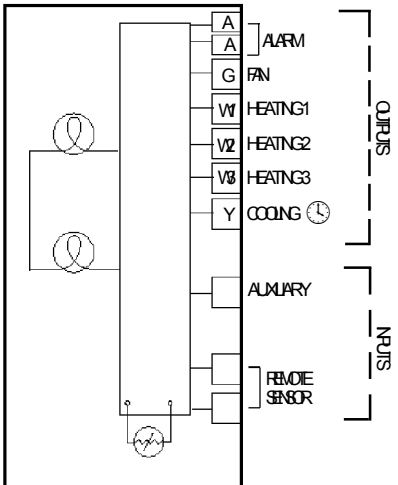
Model Number: TE212120  
Description: 2 stage heat, 1 stage cool

Switching Current at 24 VAC:  
Cooling: 1 Amp  
Heating 1: 1 Amp  
Heating 2: 1 Amp  
Fan: 1 Amp  
Alarm: 1 Amp  
Auxiliary: 1 Amp  
Weight: 4 lbs. (880 g)



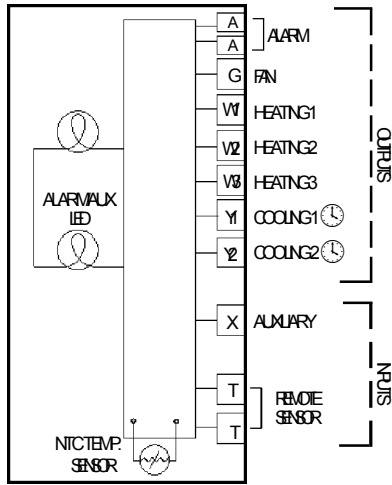
Model Number: TE212220  
Description: 2 stage heat, 2 stage cool

Switching Current at 24 VAC:  
Cooling 1: 1 Amp  
Cooling 2: 1 Amp  
Heating 1: 1 Amp  
Heating 2: 1 Amp  
Fan: 1 Amp  
Alarm: 1 Amp  
Auxiliary: 1 Amp  
Weight: 4 lbs. (880 g)



Model Number: TE213120  
Description: 3 stage heat, 1 stage cool

Switching Current at 24 VAC:  
Cooling 1: 1 Amp  
Heating 1: 1 Amp  
Heating 2: 1 Amp  
Heating 3: 1 Amp  
Fan: 1 Amp  
Alarm: 1 Amp  
Auxiliary: 1 Amp  
Weight: 4 lbs. (880 g)



Model Number: TE213220  
Description: 3 stage heat, 2 stage cool

Switching Current at 24 VAC:  
Cooling 1: 1 Amp  
Cooling 2: 1 Amp  
Heating 1: 1 Amp  
Heating 2: 1 Amp  
Heating 3: 1 Amp  
Fan: 1 Amp  
Alarm: 1 Amp  
Auxiliary: 1 Amp  
Weight: 4 lbs. (880 g)

## ACCESSORIES

Remote Temperature Sensor	TX101001
Return Air Temperature Sensor	TX101011
Transformers:	
40 VA	TR140100
20 VA	TR120100
Relay Transformers:	
20 VA (2) SPST 120 VAC relay	TR440200
20 VA (1) SPST 120 VAC relay	TR440300

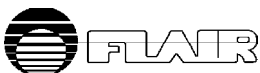
⌚ Indicates this output is protected by 4 minute time delay

## REFERENCES

For More Information On: See:

Wiring, jumper, potentiometer settings and applications	Instruction sheet
Other thermostats	This section
Zone Actuators	Star Actuator section
Zone Valves	Star Valve section
Wiring Panels	Control Panels sect.
Warranty & pricing	Pricing & Terms section
Backplates	Accessories sheet

Flair pursues a policy of constant improvement. For this reason, all specifications are subject to change without notice.



Flair International Corporation

P.O. Box 13271 • 600 Old Willets Path • Hauppauge, New York 11788 • Tel: (516) 234-3600 • Fax: (516) 234-3610 • E-mail: Flair.International@juno.com